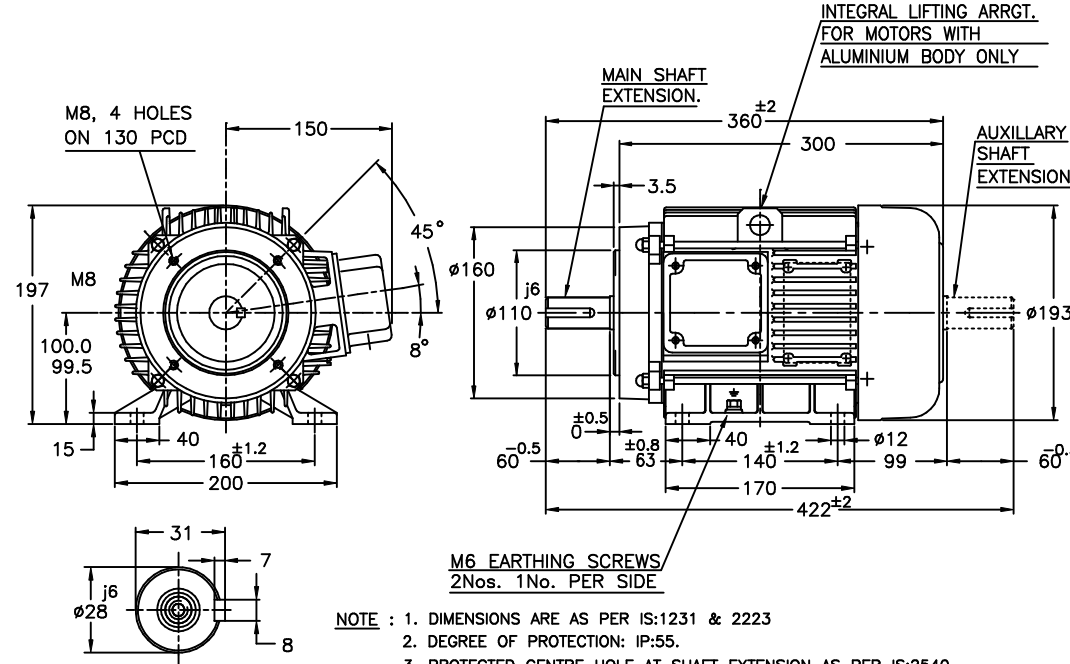


UNMENTIONED TOLERANCES

LINEAR DIMENSIONS (UP TO 315)	0	6	315	1000
ABOVE	±0.2	±0.5	±0.8	±1.2
LINEAR DIMENSIONS (UP TO 315)	6	315	1000	2000
(MACHINED) TOL.	±0.2	±0.5	±0.8	±1.2
ANGLES	± 1/2°			

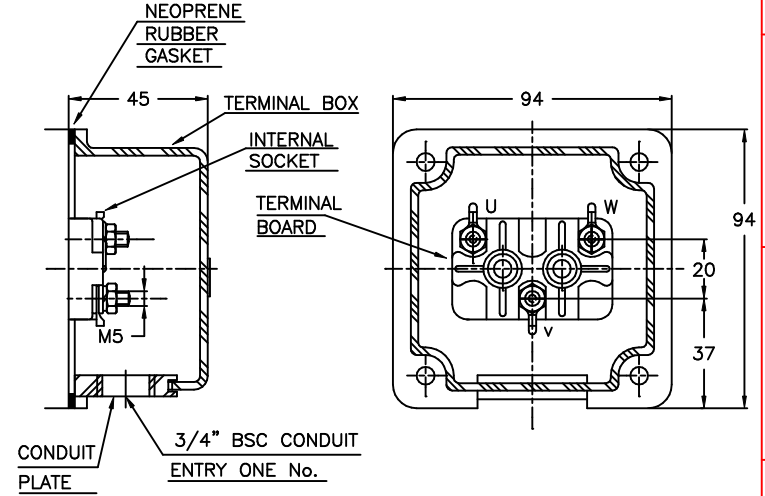
ALL INFORMATION CONTAINED IN THIS DOCUMENT IS CONFIDENTIAL AND THE PROPERTY OF KIRLOSKAR ELECTRIC CO.LTD. REPRODUCING OF THESE IN ANY FORM IS TO BE DONE WITH THE SPECIFIC PERMISSION OF THE COMPANY.

**DIMENSIONAL DRAWING**



- NOTE :**
1. DIMENSIONS ARE AS PER IS:1231 & 2223
  2. DEGREE OF PROTECTION: IP:55.
  3. PROTECTED CENTRE HOLE AT SHAFT EXTENSION AS PER IS:2540. "M10 X 24" FOR 'D' - Ø28
  4. TERMINAL BOX CAN BE ROTATABLE THROUGH 360° IN STEPS OF 90°.
  5. KEY & KEYWAY ARE AS PER IS:2048 & TOLERANCE ON KEYWAY IS P9.

**TERMINAL BOX ARRANGEMENT**



**NOTE:** MAX. CABLE SIZE : MAIN-1x3Cx6 sqmm.

**DETAILS OF MAIN & AUXILIARY SHAFT EXTENSION**

SURFACE ROUGHNESS (MAX) AS PER KSD-02-027

Ra µm	50	12.5	25	1.6	3.2	6.3	0.2	0.4	0.8	0.025	0.05	0.1
OLD	✓	✓	✓	✓	✓	✓	✓	✓	✓	✓	✓	✓
NEW	✓	✓	✓	✓	✓	✓	✓	✓	✓	✓	✓	✓

UC: UNMENTIONED CHAM: RAD: 7 6 5

1	-	0122209	REDRAWN IN A NEW FORMAT.	Sd/-	10/01/09	QA PRODUCTION MKTG
REV.	ZONE	DCN.No.	BRIEF RECORD	SIGNATURE	DATE	PRINTS ISSUED TO
8			7	6	5	

**Z122613100JR**

THIS SUPERSEDES ..... FROM dt ..... AS PER DCN No.....		THIS SUPERSEDED BY ..... FROM dt ..... AS PER DCN No.....	
MATERIAL SPECIFICATION	RAW MATERIAL SIZE	WEIGHT kg	
-	-	RM FIN.	
CASTING/FAB REF.	USED ON	No.P.S.:-	SCALE NTS
-	FCPM100L	REDRAWN	CHECKED STANDARD APPROVED
TITLE: DIMENSION SHEET		sd/-	sd/- sd/- sd/-
KIRLOSKAR ELECTRIC COMPANY LTD. HUBLI-580030 (INDIA)		dt10/01/09	dt10/01/09 dt10/01/09 dt10/01/09

**32261398R1**

SHEET ONE OF ONE

FORM No. 02 201 02B (ISSUE 7)